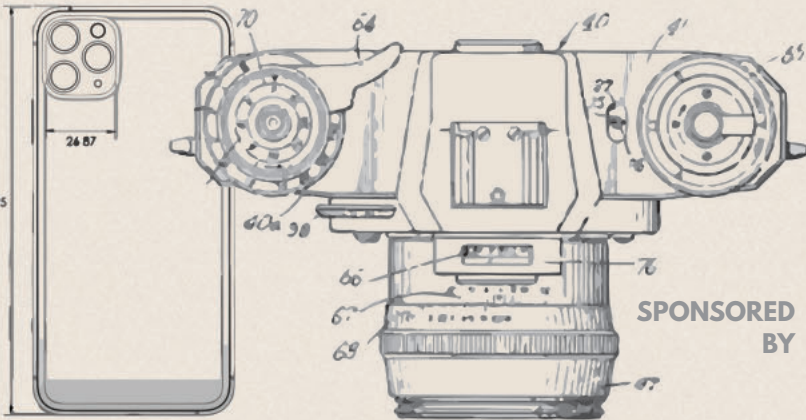


THE VIEWFINDER

SAAC Photography Competition

CALL FOR ENTRY

Cash Prizes • **DEADLINE FEBRUARY 4** • Exhibit February 8-25, 2022
AWARDS RECEPTION • Thursday, February 17, 2022 • 5:30-7:00PM



\$1000 in PRIZE MONEY

■ Best in Show: \$500

■ 1st: \$250

■ 2nd: \$150

■ 3rd: \$100

SAAC
www.saac-arts.org

SPONSORED
BY

EL DORADO
IN
SIDER

D
THE DIAMOND AGENCY

JUDGE • DERO SANFORD



Professional Photographer and owner of ThinkDero, Inc. in Little Rock, AR

Sanford loves adventure, photography, good film, and spending his days with his son, Solomon. Having graduated from Oklahoma State University, Okmulgee, with a degree in photography, he quickly found himself immersed in the advertising scene. Working for various

magazines, agencies, and companies he began to build an impressive client base. He is very personable, and his passion for fun, painless photography can be seen in all of his work.

“I love the story of a photograph. Figuring out the why and how the photographer chose his subject, light, composition, timing and other elements are all part of the interpretation of the story that was captured.”

ENTER up to TWO FRAMED PHOTOGRAPHS created with any type of camera, printed on any media. Basic corrective editing is allowed, but no graphic manipulations. Entries can not have previously shown at SAAC.

DELIVER entries to the South Arkansas Arts Center by February 4th.

FEE to enter is \$10 for each piece. SAAC members get one free entry.

THE VIEWFINDER PROSPECTUS 2022

CALENDAR

Entry DEADLINE February 4
Show Opening February 8
Artist Reception February 17
5:30-7:00pm Artist Reception
6:00pm Awards Presentation
Last Day of Exhibit February 25
PICK-UP Art Work February 28

JUDGE: Dero Sanford, Professional Photographer and owner of ThinkDero, Inc. in Little Rock, Arkansas

DEADLINE: Entries must be received in the SAAC Office by February 4, 2022.

ENTRY/FEE: Limit 2 pieces per person with an entry fee of \$10 each. SAAC members can enter one photograph for free.

AWARDS: Cash prizes will be awarded to the Best of Show (\$500), First Place (\$250), Second Place (\$150), and Third Place (\$100)

ELIGIBILITY: Photographs can be take with any type of camera and printed on any medium. Basic corrective editing in the dark room or digitally on the computer is allowed but no graphic manipulations. Photographs must have not previously shown at SAAC. Each piece must be ready for display in the gallery with a sufficient hanging method. The judge and show chairperson have final authority to define what constitutes an acceptable entry.

DELIVERY/PICK-UP: Works must be delivered to SAAC by February 4 and picked up on February 28. Artists are responsible for the delivery and pickup of all works. Shipped pieces must include a return shipping label or instructions when received. Work not picked up after 30 days will become the property of SAAC.

EXHIBITION: All works will be on exhibit in SAAC's Galleries February 8-25, 2022. An Artist Reception will be held February 17, 5:30-7:00pm with an awards presentation at 6:00pm. All work must remain for the duration of the exhibit.

SALES: Sales are encouraged. A 35% commission will be charged on all sales resulting from the exhibition. Works NOT FOR SALE must be marked NFS.

WAIVER: Any work submitted to SAAC for exhibition may be reproduced for promotional purposes by the South Arkansas Arts Center, El Dorado Insider, or The Diamond Agency. The receipt of an entry in the competition will constitute agreement by the artist with all conditions set forth in the prospectus.

South Arkansas Arts Center 110 East 5th Street, El Dorado, AR 71730
870-862-5474 www.saac-arts.org

12/15/21

THE VIEWFINDER SAAC Photography Competition 2022 ENTRY FORM

Name: _____

Address: _____

City, State, Zip: _____

Phone: _____

E-mail: _____

I hereby certify that the entry described here is my original unaltered photography. I have read and fully understand the rules of the competition and agree to allow the artwork to be reproduced for promotional purposes.

Artist's Signature

Entry Title: _____

Medium: _____

Price: _____

Entry Title: _____

Medium: _____

Price: _____

THE VIEWFINDER 2022 • attach to the back of art work

Title _____

Artist _____

Phone _____

E-Mail _____

THE VIEWFINDER 2022 • attach to the back of art work

Title _____

Artist _____

Phone _____

E-Mail _____